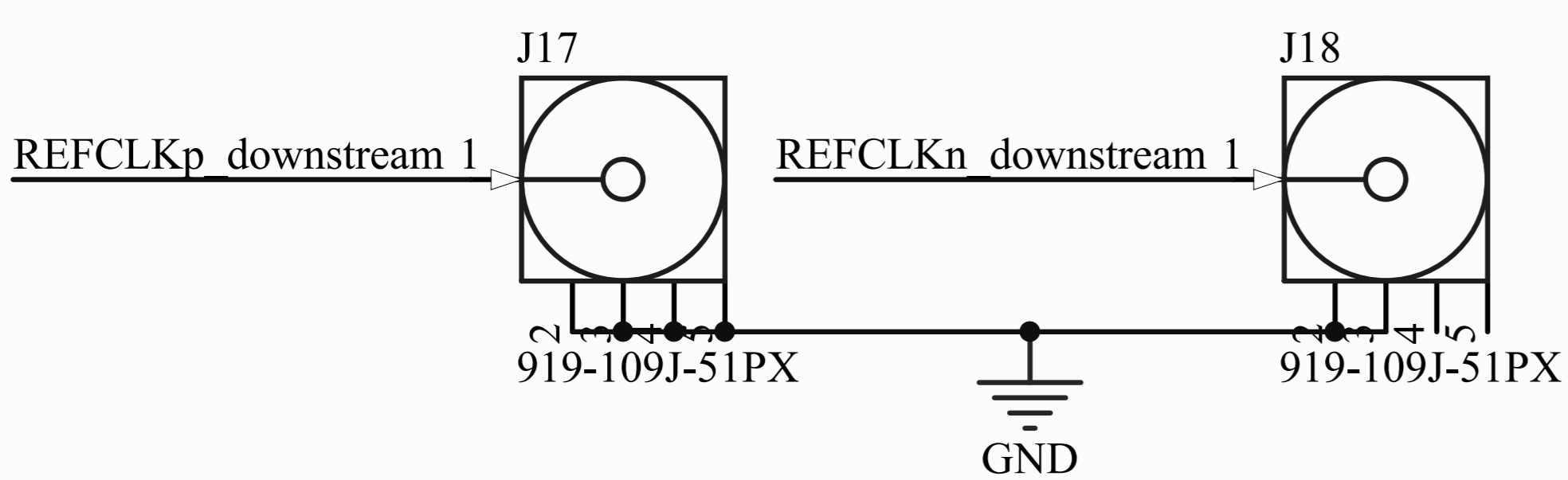
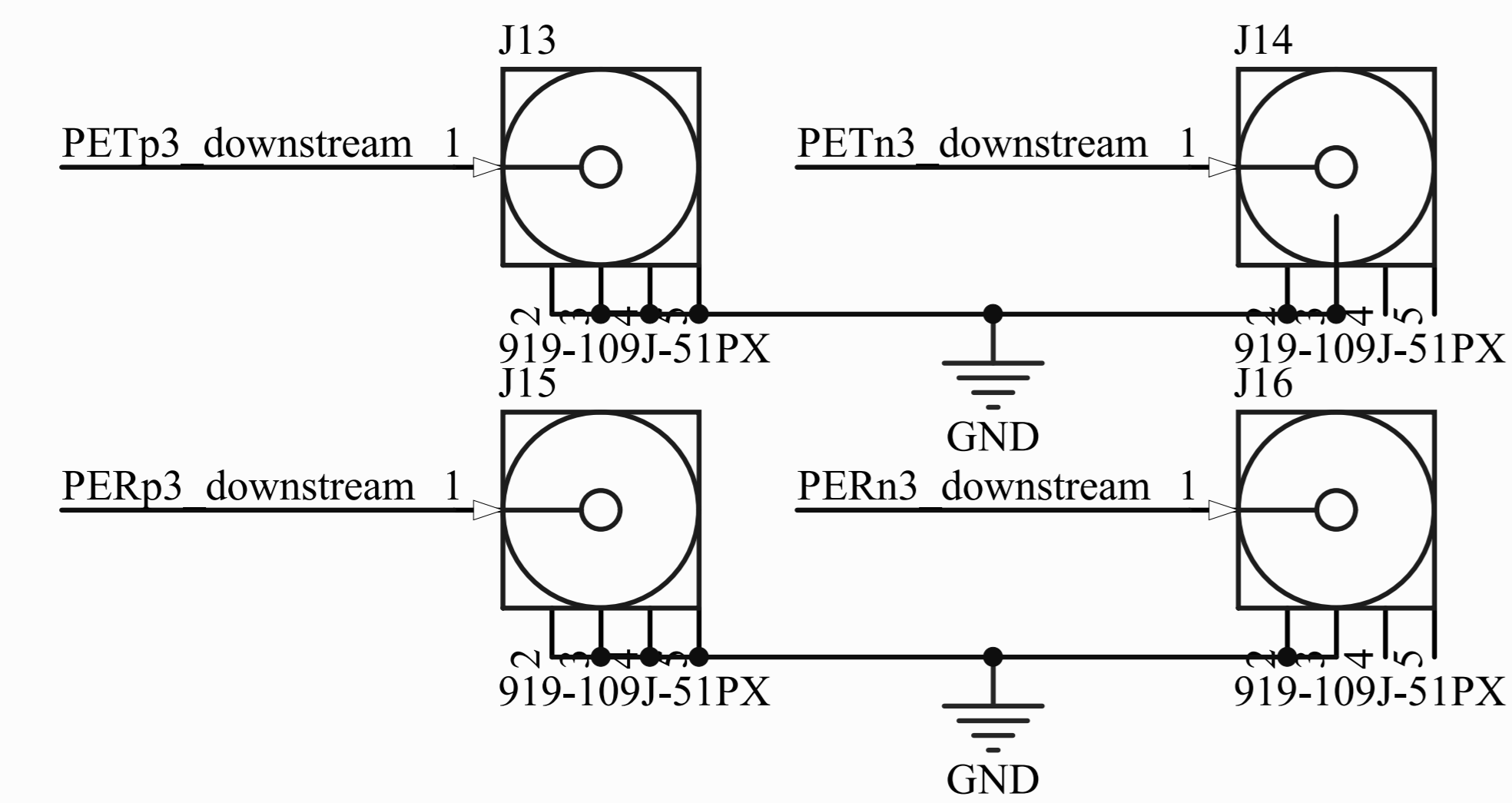
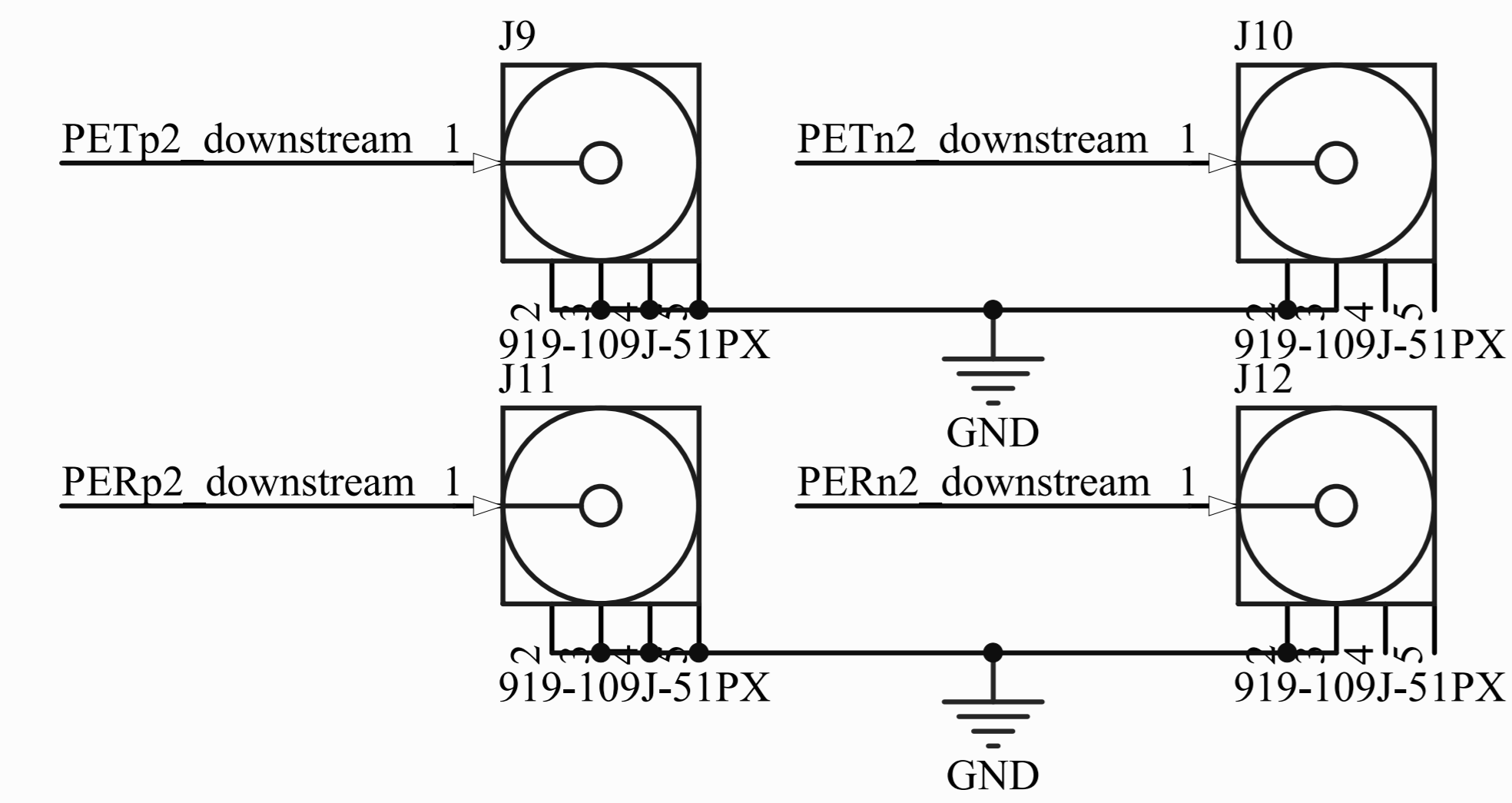
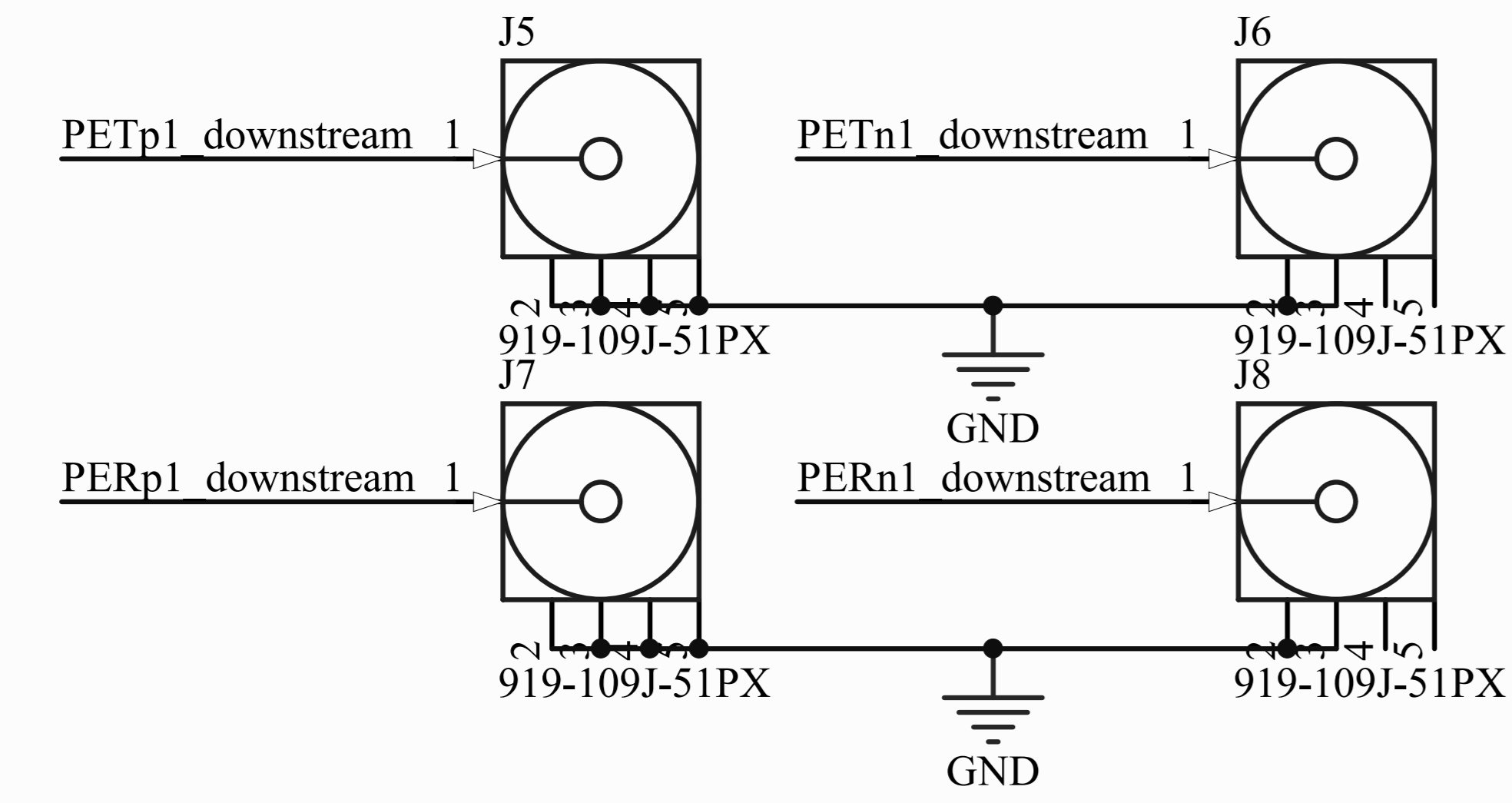
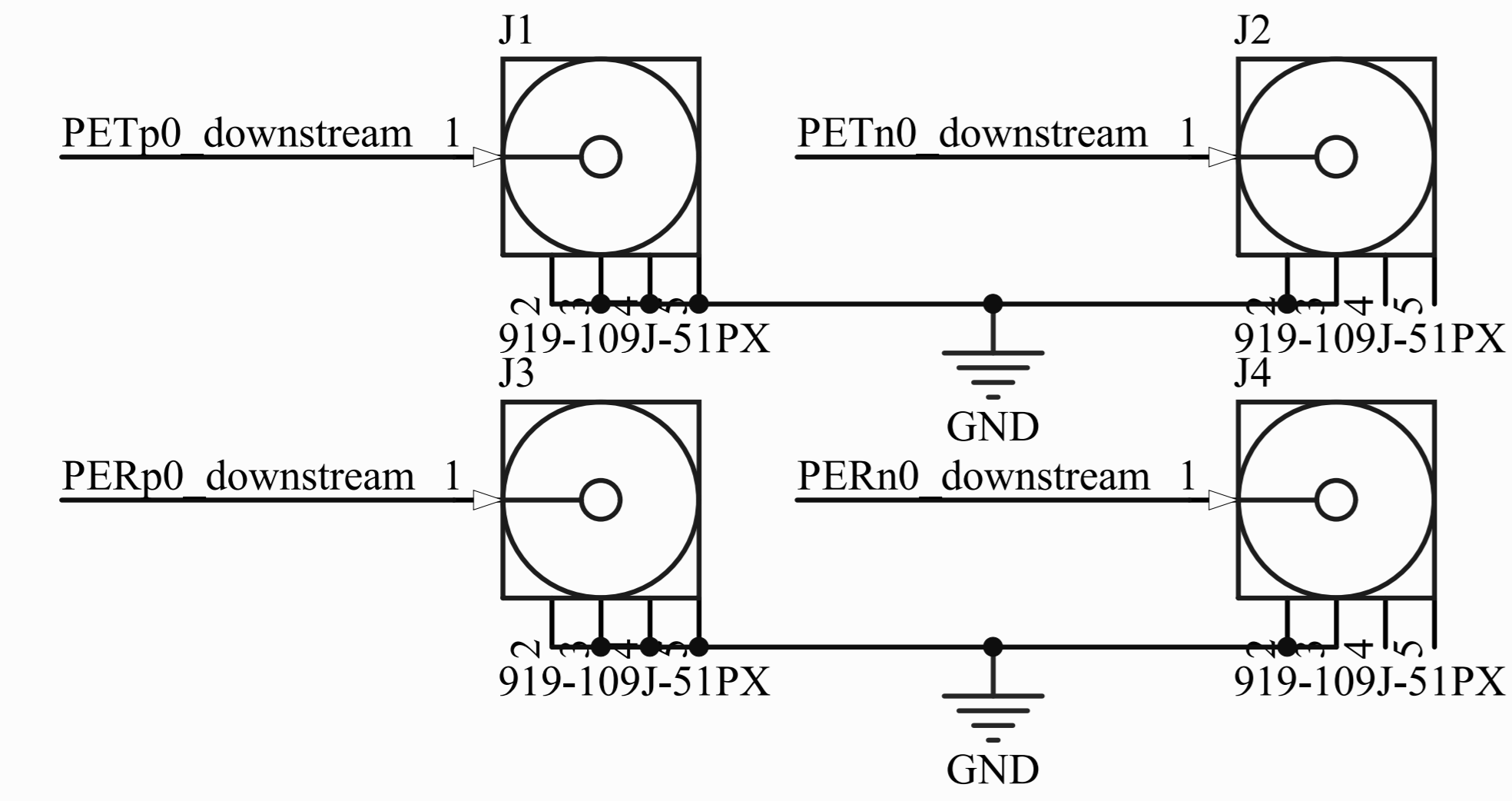
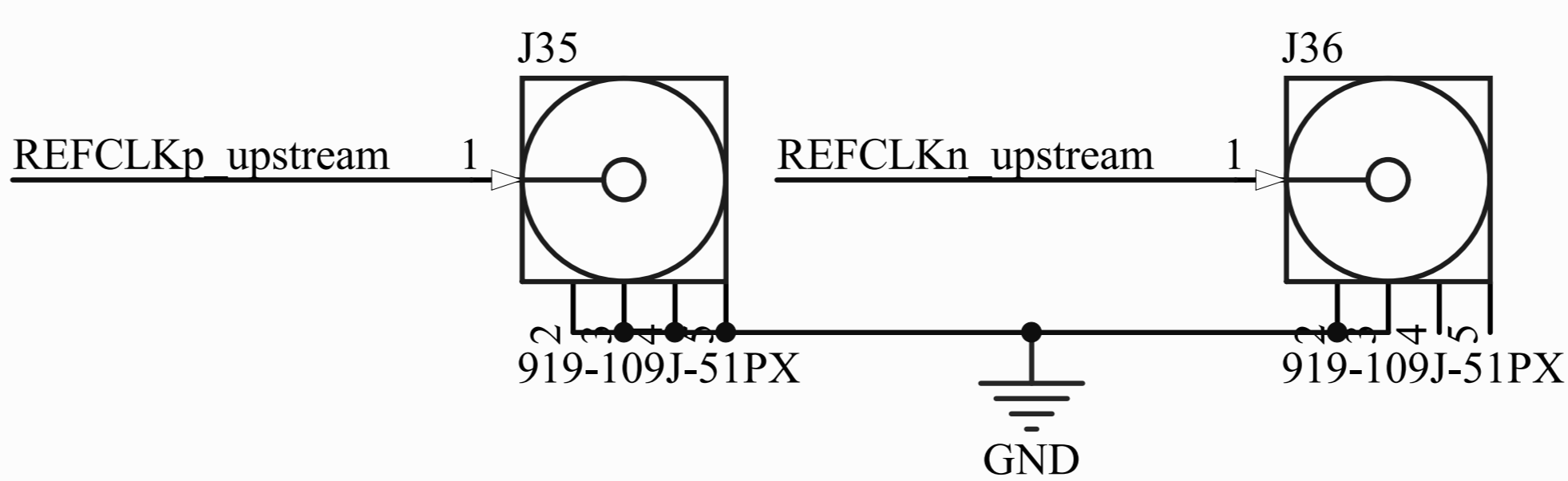
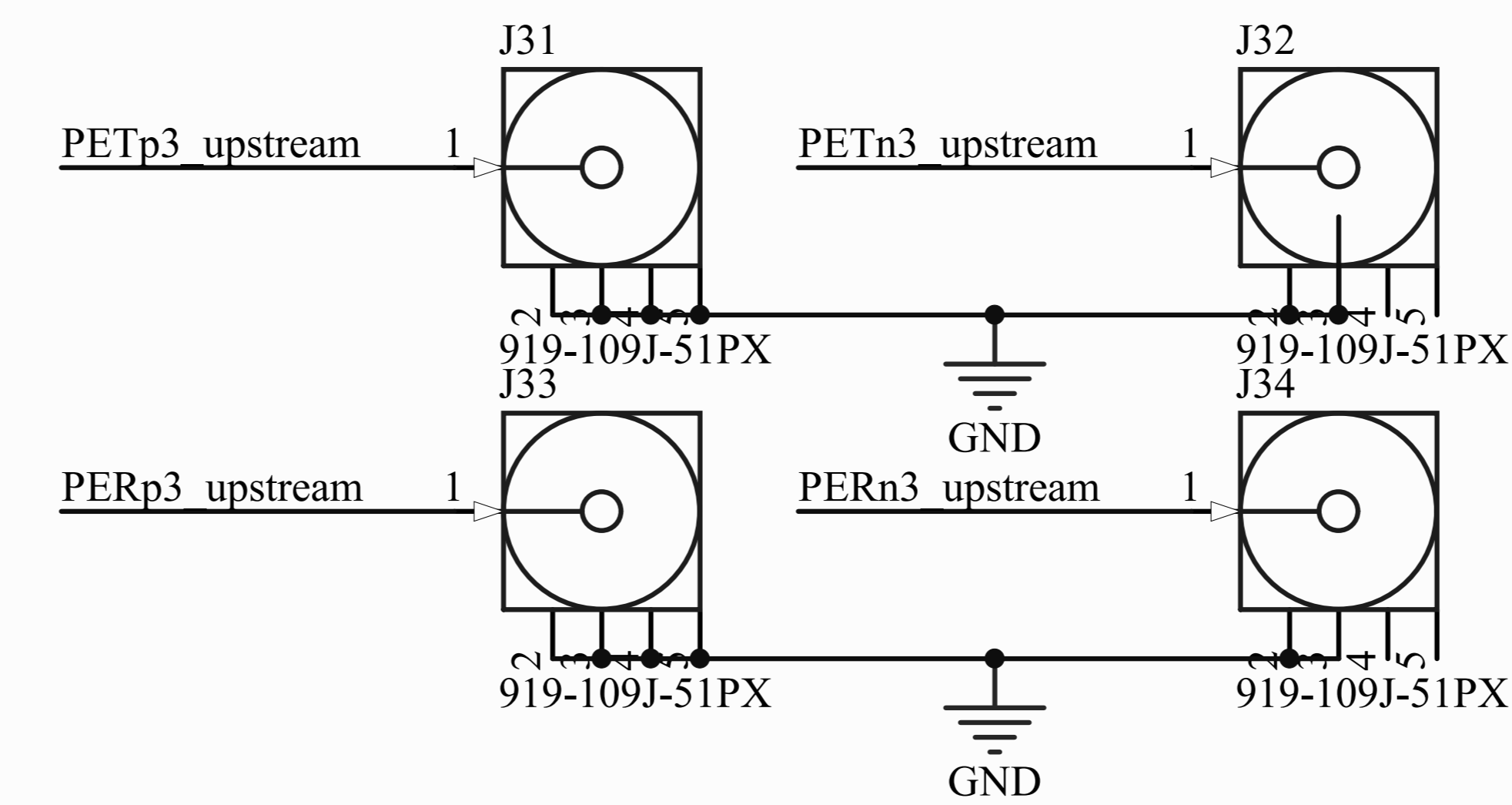
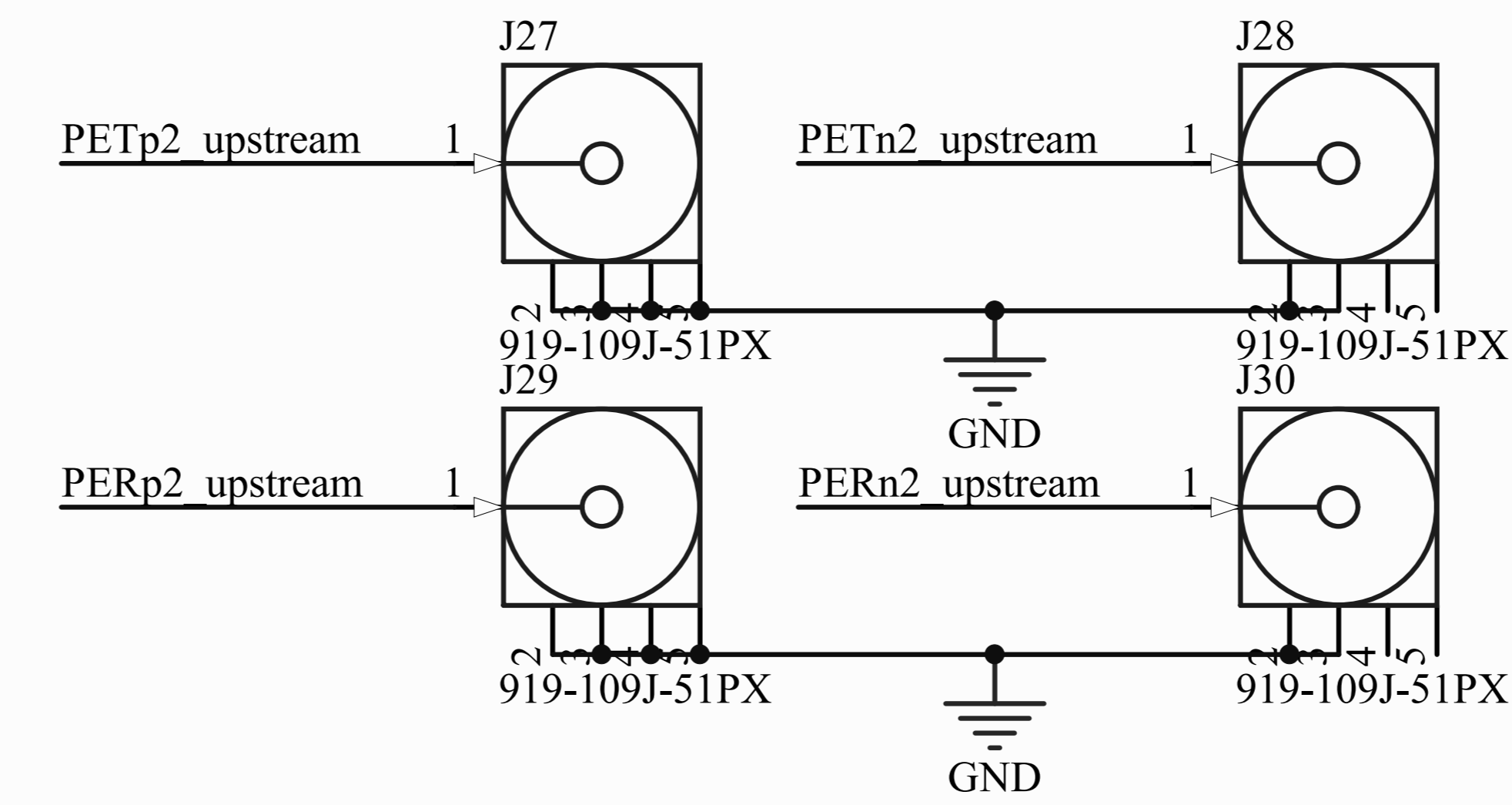
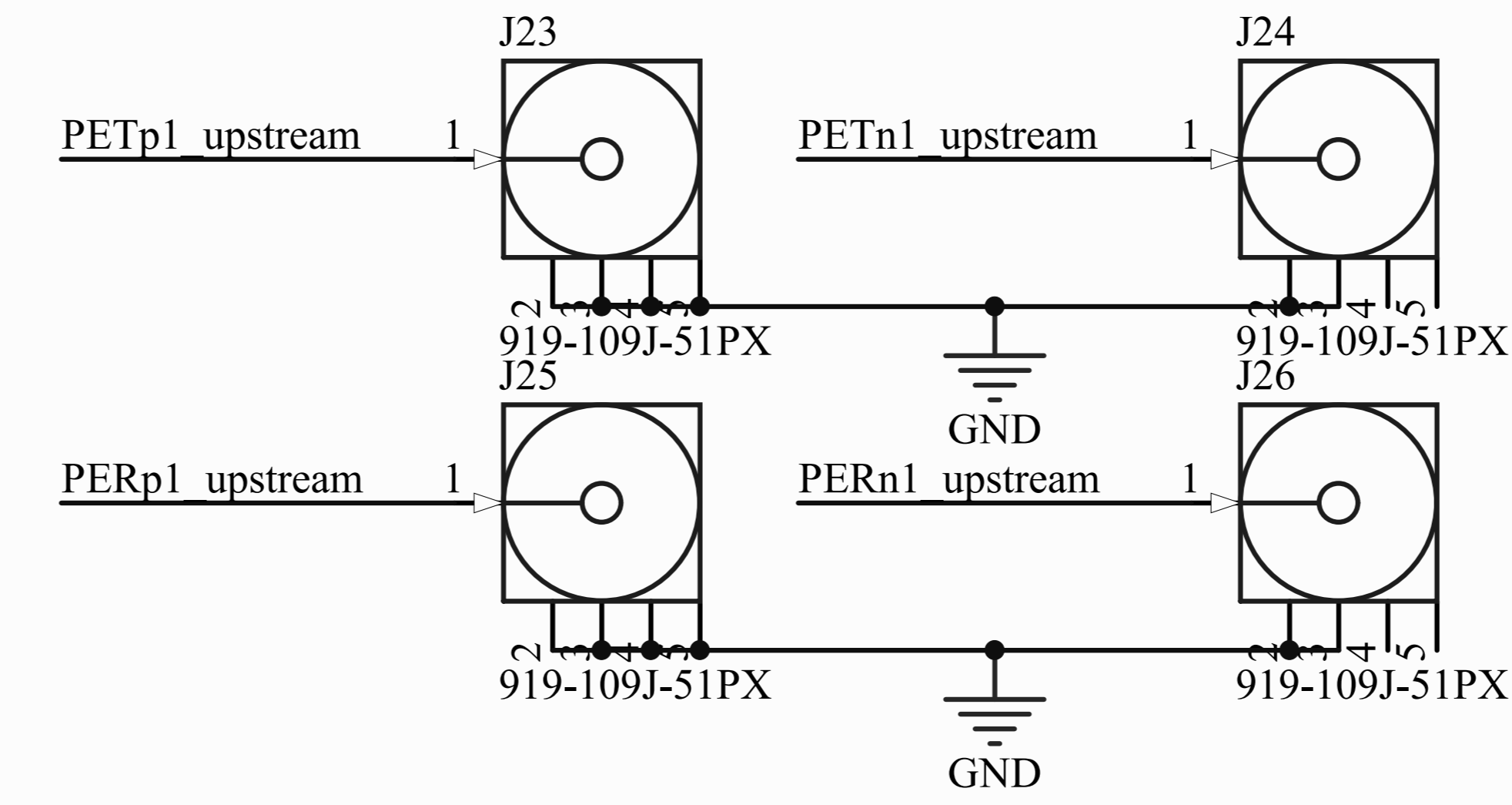
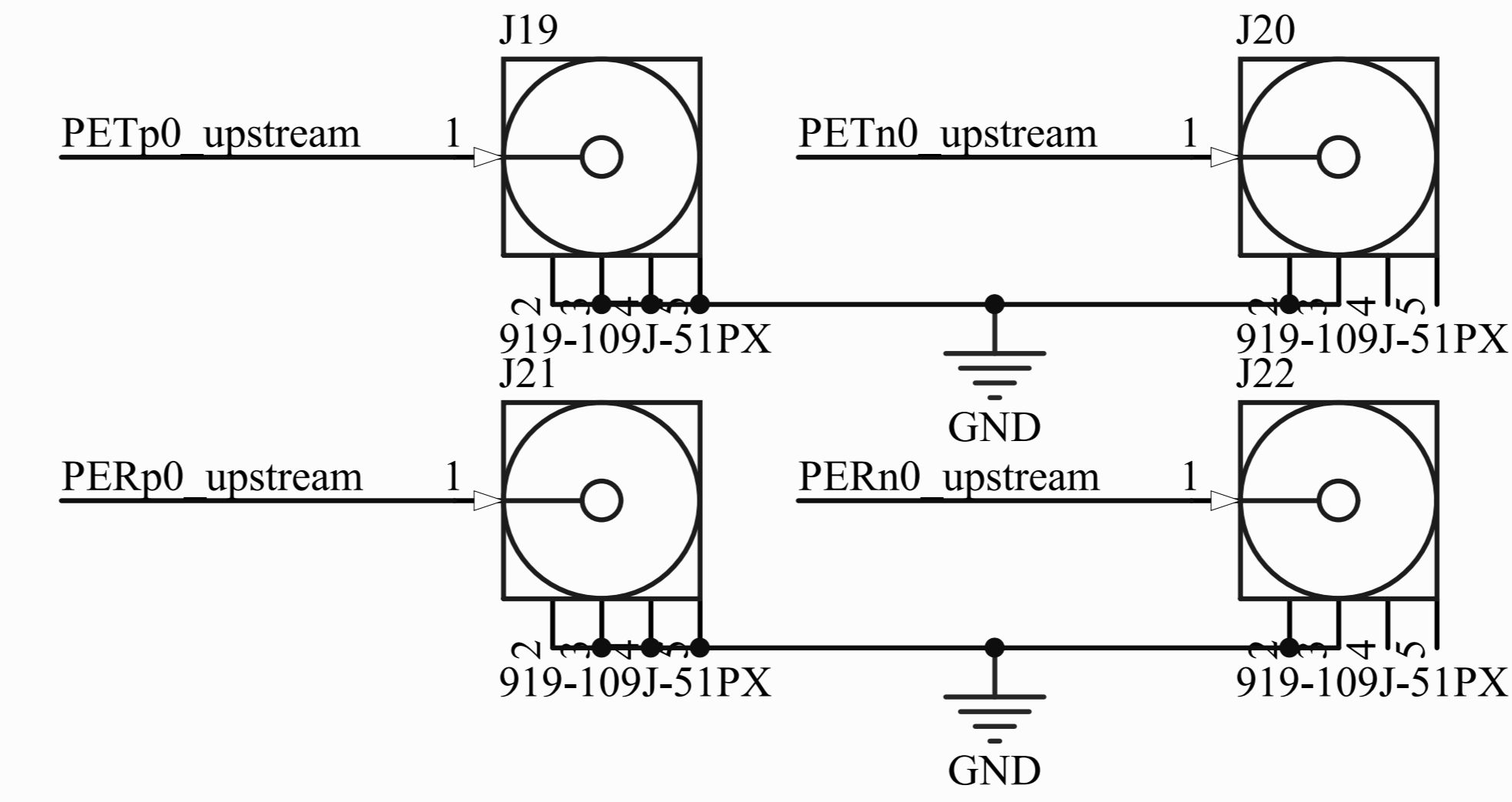


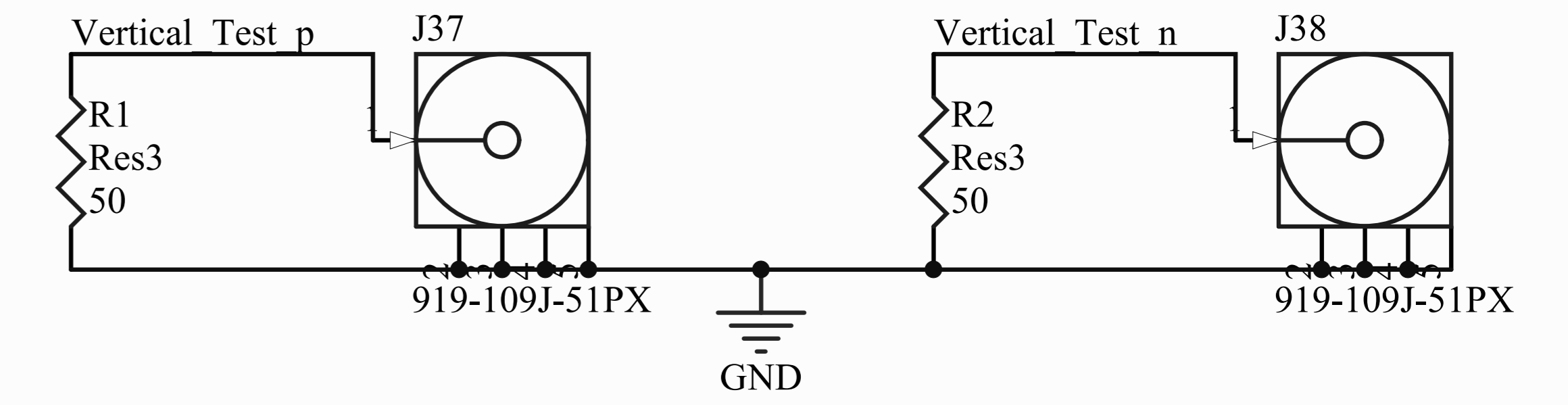
Downstream RF Connectors (towards upper straddle connector)



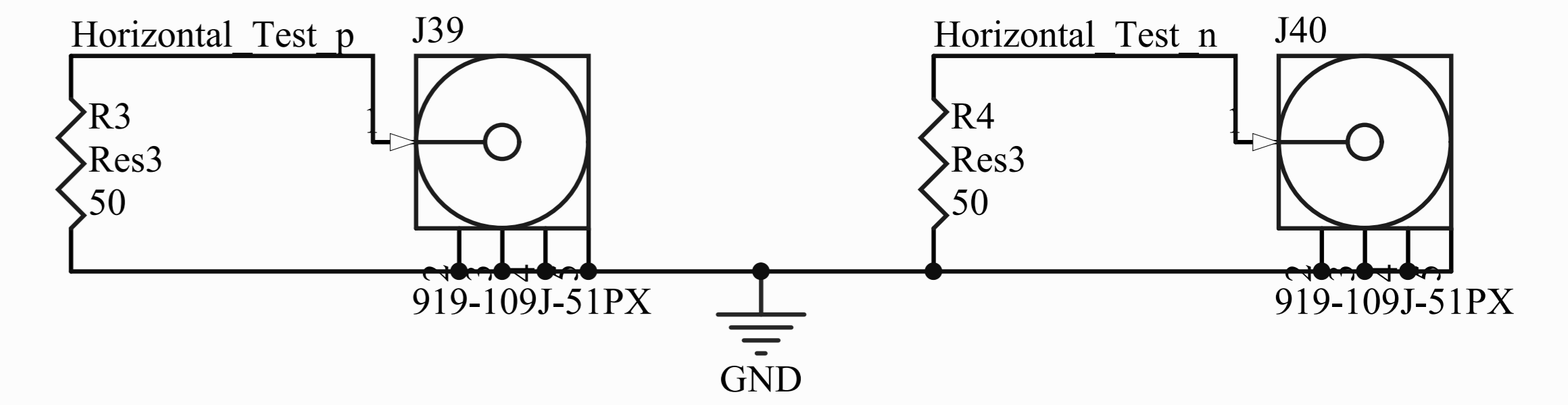
Upstream RF Connectors (towards PCIe Fingers)



Vertical Test RF Connectors



Horizontal Test RF Connectors



Title		
PCI Express Test Board		
Size	Number	Revision
B		
Date:	4/11/2010	Sheet 1 of 1
File:	D:\Projects\...\TestBoard.SchDoc	Drawn By: